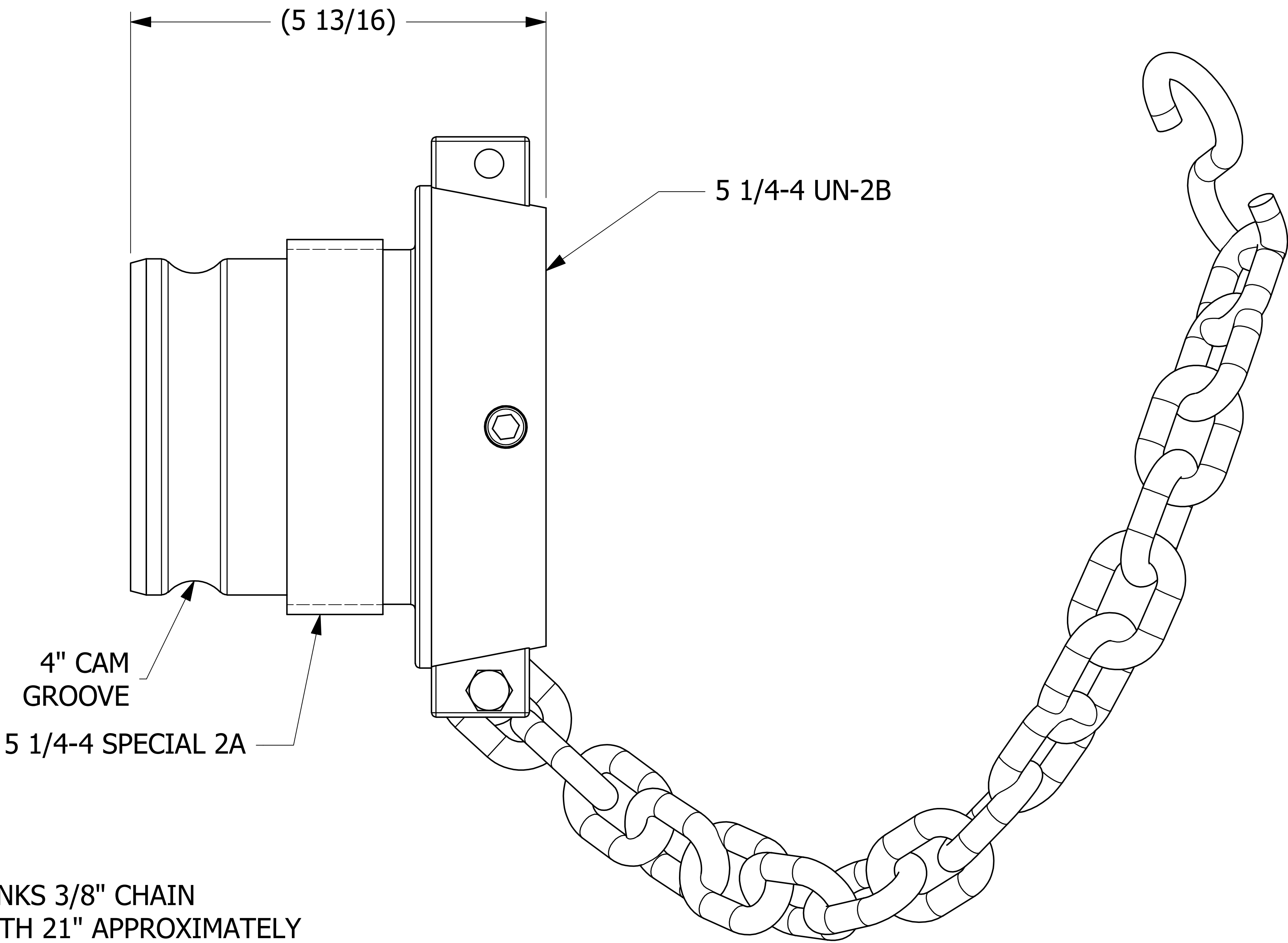
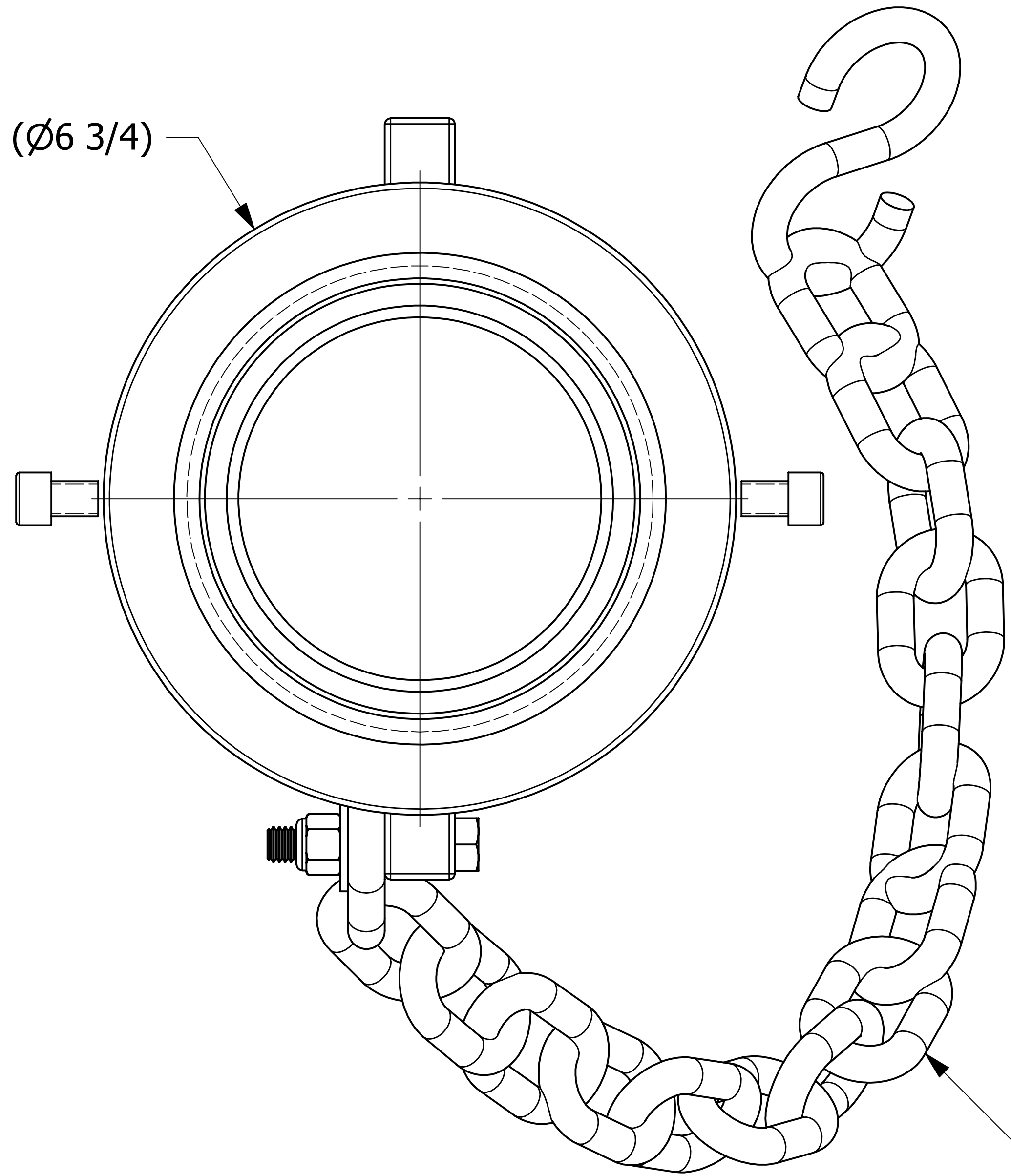


SALES DRAWING

SALES DRAWING



- NOTES:
1. AAR APPROVAL #: E-149523
  2. ADAPTER THREADS ARE 5 1/4" - UN 2B PER FIGURE E18 IN THE AAR TANK CAR MANUAL.
  3. QUICK DISCONNECT MEETS A-A-59326D.
  4. GASKET MATERIAL IS BLACK NITRILE.

UNLESS OTHERWISE SPECIFIED DIMENSIONAL TOLERANCES FRACTIONAL: $\pm 1/16$ X.XX: $\pm .03$ X.XXX: $\pm .015$ ANGULAR: $\pm 1^\circ$ DEBURR ALL SHARP EDGES. ALL MACHINED SURFACES TO HAVE A 125 RMS FINISH UNLESS NOTED OTHERWISE. THIRD ANGLE PROJECTION	DRAWN BY:	ACC
	CHECKED BY:	
	PROTOTYPE BY:	ACC
	PROTOTYPE DATE:	
	APPROVED FOR PRODUCTION BY:	ACC
	PRODUCTION DATE:	

A	WEB	2-13-15	ADDED NOTES AND UPDATED TITLEBLOCK
REV	BY	DATE	DESCRIPTION
<b>SALCO PRODUCTS, INC.</b>			
PART NAME: <b>QUICK CONNECT ADAPTER 4" THREAD ON</b>			
MATERIAL: <b>DUCTILE IRON</b>			
PROJECT #:		SHEET #:	1 OF 1
DRAWING #:		SCALE:	1:1
<b>D14015</b>		<b>TE4IA1A</b>	

THIS PRINT, PROPERTY OF SALCO PRODUCTS INC. CONTAINS PROPRIETARY INFORMATION AND MUST NOT BE COPIED, REPRODUCED, OR USED DETRIMENTALLY TO OUR INTEREST.